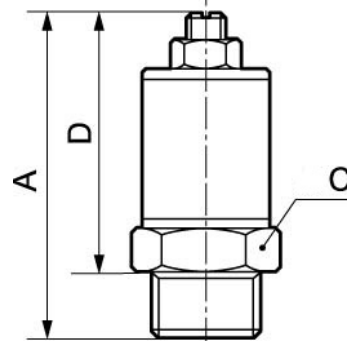


## EXHAUST SILENCERS

Parallel male thread flow reducer (exhaust)



12

Part number	Male thread	Dim. A (mm)	Dim. C (mm)	Dim. D (mm)
A27 18	G1/8	43	16	35.5
A27 14	G1/4	43	16	35.5
A27 38	G3/8	58	22	47.5